

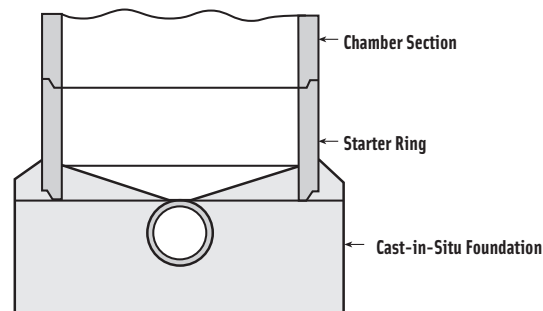
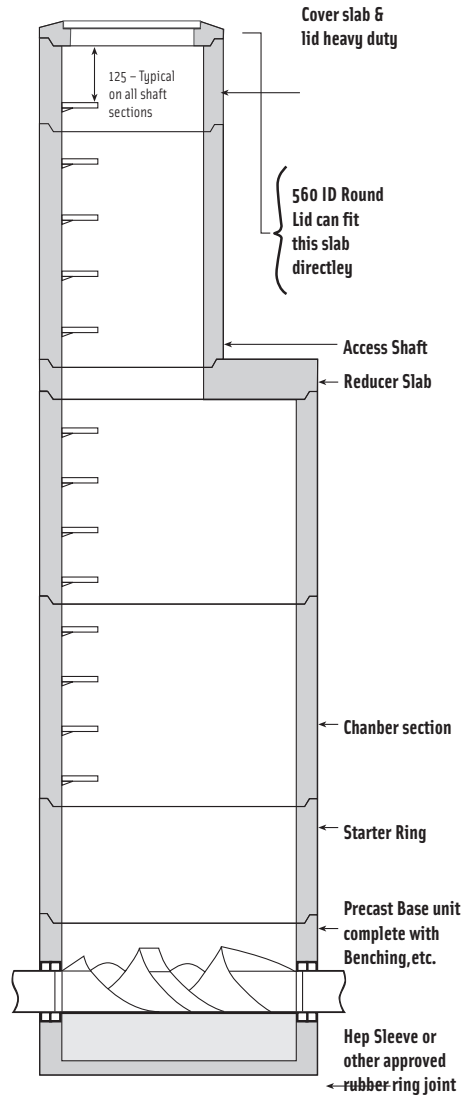


Manholes

Panda Manholes, you can go down with confidence



Panda Manholes Sections & Slabs



Pipe Strength kN/m	Normal Diameter	Nominal Length	Inside Diameter	Outside Diameter	Wall Thickness	Inside Socket	Approx Mass	Approx Mass	Proof Load
	ND	L	ID	OD	T	S	per meter	per pipe	
	mm	mm	mm	mm	mm	kg/m	kg/m	kg/pipe	
15	750	250	750	857	56	18	352	88	15.0
		500	750	857	56	18	352	176	15.0
		1000	750	857	56	18	352	352	15.0
	1000	250	1000	1129	67	19	552	138	15.0
		500	1000	1129	67	19	552	276	15.0
		1000	1000	1129	67	19	552	552	15.0
	1250	250	1250	1396	77	22	800	200	15.0
		500	1250	1396	77	22	800	400	15.0
		1000	1250	1396	77	22	800	800	15.0
	1500	250	1523	1688	85	25	1072	268	15.0
		500	1523	1688	85	25	1072	536	15.0
		1000	1523	1688	85	25	1072	1072	15.0

Reduce Slabs	Reduce To	Thickness mm	Mass kg
1000	750	160	267
1250	750	160	425
1500	750	160	810

Cover Slabs	Reduce To	Thickness mm	Mass kg
750	560	130	88
1000	560	160	362
1250	560	160	488
1500	560	160	891

Concrete Lid	Mass kg
560 DIA Heavy duty	90



Precast Base Unit.



BOS 76 – Certified

Manufacturing Plants:

Francistown: Tel: +267-244 2106/7/8
 Fax: +267-244 2109/10
 email: sales@panda.co.bw
 P/Bag F36, Farm NQ 26
 Monarch, Francistown
 GPS: 21°07'11"S, 27°29'53"E

Gaborone: Tel: +267-350 0838
 Fax: +267-350 0839
 email: sales@panda.co.bw
 P/Bag 115, Plot 20605,
 Broadhurts Industrial, Gaborone
 GPS: 24°37'04"S, 25°55'11"E



Head Office: P/Bag F36, Farm NQ 26
 Monarch, Francistown
 Botswana
 Tel: +267-244 2106/7/8
 Fax: +267-244 2109/10
 Email: sales@panda.co.bw
 Website: www.panda.co.bw