



Rectangular Culverts

Panda Culverts, Quality you can trust

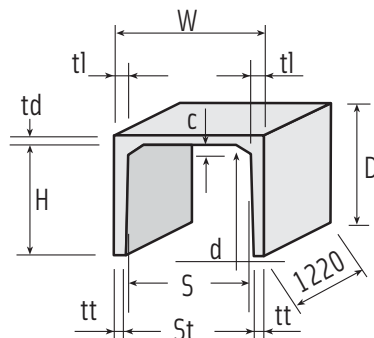


Rectangular Culverts

Normal size			Dimensions								Water	Approximate Mass	
S	x	H	W	D	St	td	tl	tt	c	d	Way area	per m	per unit
mm	x	mm	mm	mm	mm	mm	mm	mm	mm	mm	m ³	kg/m	kg/unit
450	x	300	600	390	470	90	75	65	37	75	0.13	255	311
		375	600	465	475	90	75	63	37	75	0.17	280	342
		450	600	540	480	90	75	60	37	75	0.20	303	370
600	x	300	760	390	620	90	80	70	50	100	0.17	305	373
		450	760	540	630	90	80	65	50	100	0.27	358	436
		600	760	690	640	90	80	60	50	100	0.36	406	495
750	x	300	920	390	770	90	85	75	50	100	0.22	350	427
		450	920	540	780	90	85	70	50	100	0.33	406	496
		600	920	690	790	90	85	65	50	100	0.45	459	560
		750	920	840	800	90	85	60	50	100	0.56	507	619
900	x	300	1100	400	920	100	100	90	50	100	0.26	444	541
		450	1100	550	930	100	100	85	50	100	0.40	511	624
		600	1100	700	940	100	100	80	50	100	0.53	575	702
		750	1100	850	950	100	100	75	50	100	0.67	635	775
		900	1100	1000	960	100	100	70	50	100	0.81	691	844
1200	x	300	1440	420	1220	120	120	110	50	100	0.35	637	777
		450	1440	570	1230	120	120	105	50	100	0.53	720	878
		600	1440	720	1240	120	120	100	50	100	0.71	799	975
		900	1440	1020	1260	120	120	90	50	100	1.08	946	1155
		1200	1440	1320	1280	120	120	80	50	100	1.45	1078	1315
1500	x	300	1750	425	1520	125	125	115	75	225	0.43	794	968
		450	1750	575	1530	125	125	110	75	225	0.65	881	1075
		600	1750	725	1540	125	125	105	75	225	0.87	964	1176
		900	1750	1025	1560	125	125	95	75	225	1.33	1119	1365
		1200	1750	1325	1580	125	125	85	75	225	1.79	1258	1535
		1500	1750	1625	1600	125	125	75	75	225	2.25	1382	1686
1800	x	600	2100	750	1840	150	150	130	100	300	1.04	1324	1615
		900	2100	1050	1860	150	150	120	100	300	1.58	1517	1851
		1200	2100	1350	1880	150	150	110	100	300	2.13	1695	2068
		1500	2100	1650	1900	150	150	100	100	300	2.68	1858	2266
		1800	2100	1950	1920	150	150	90	100	300	3.24	2005	2446
2100	x	600	2400	750	2140	150	150	130	100	300	1.21	1440	1756
		900	2400	1050	2160	150	150	120	100	300	1.84	1633	1992
		1200	2400	1350	2180	150	150	110	100	300	2.48	1811	2210
		1500	2400	1650	2200	150	150	100	100	300	3.12	1974	2408
		1800	2400	1950	2220	150	150	90	100	300	3.77	2121	2587
		2100	2400	2250	2240	150	150	80	100	300	4.42	2252	2748
2400	x	600	2720	760	2440	160	160	140	100	300	1.39	1665	2031
		900	2720	1060	2460	160	160	130	100	300	2.11	1874	2286
		1200	2720	1360	2480	160	160	120	100	300	2.83	2067	2522
		1500	2720	1660	2500	160	160	110	100	300	3.56	2245	2739
		1800	2720	1960	2520	160	160	100	100	300	4.29	2408	2937
		2400	2720	2560	2560	160	160	80	100	300	5.78	2686	3277
3000	x	600	3380	790	3040	190	190	170	150	300	1.72	2330	2843
		900	3380	1090	3060	190	190	160	150	300	2.62	2586	3155
		1200	3380	1390	3080	190	190	150	150	300	3.52	2826	3447
		1500	3380	1690	3100	190	190	140	150	300	4.42	3050	3721
		1800	3380	1990	3120	190	190	130	150	300	5.33	3259	3976
		2400	3380	2590	3160	190	190	110	150	300	7.17	3631	4429
		3000	3380	3190	3200	190	190	90	150	300	9.03	3940	4807
3600	x	600	4000	800	3640	200	200	180	150	300	2.08	2768	3377
		900	4000	1100	3660	200	200	170	150	300	3.14	3039	3708
		1200	4000	1400	3680	200	200	160	150	300	4.22	3295	4019
		1500	4000	1700	3700	200	200	150	150	300	5.30	3535	4312
		1800	4000	2000	3720	200	200	140	150	300	6.39	3759	4586
		2400	4000	2600	3760	200	200	120	150	300	8.58	4162	5077
		3000	4000	3200	3800	200	200	100	150	300	10.79	4502	5493

CyberGraphics Printed by Remata

Span mm	Class				
	75S	100S	150S	175S	200S
450					x
600					x
750				x	
900				x	
1200			x		
1500		x			
1800	x				
2100	x				
2400	x				
3000	x				
3600	x				



Manufacturing Plants:
Francistown:
 Tel: +267-244 2106/7/8
 Fax: +267-244 2109/10
 email: sales@panda.co.bw
 P/Bag F36, Farm NQ 26
 Monarch, Francistown
 GPS: 21°07'11"S, 27°29'53"E



Head Office:
 P/Bag F36, Farm NQ 26
 Monarch, Francistown, Botswana
 Tel: +267-244 2106/7/8
 Fax: +267-244 2109/10
 Email: sales@panda.co.bw
 Website: www.panda.co.bw

